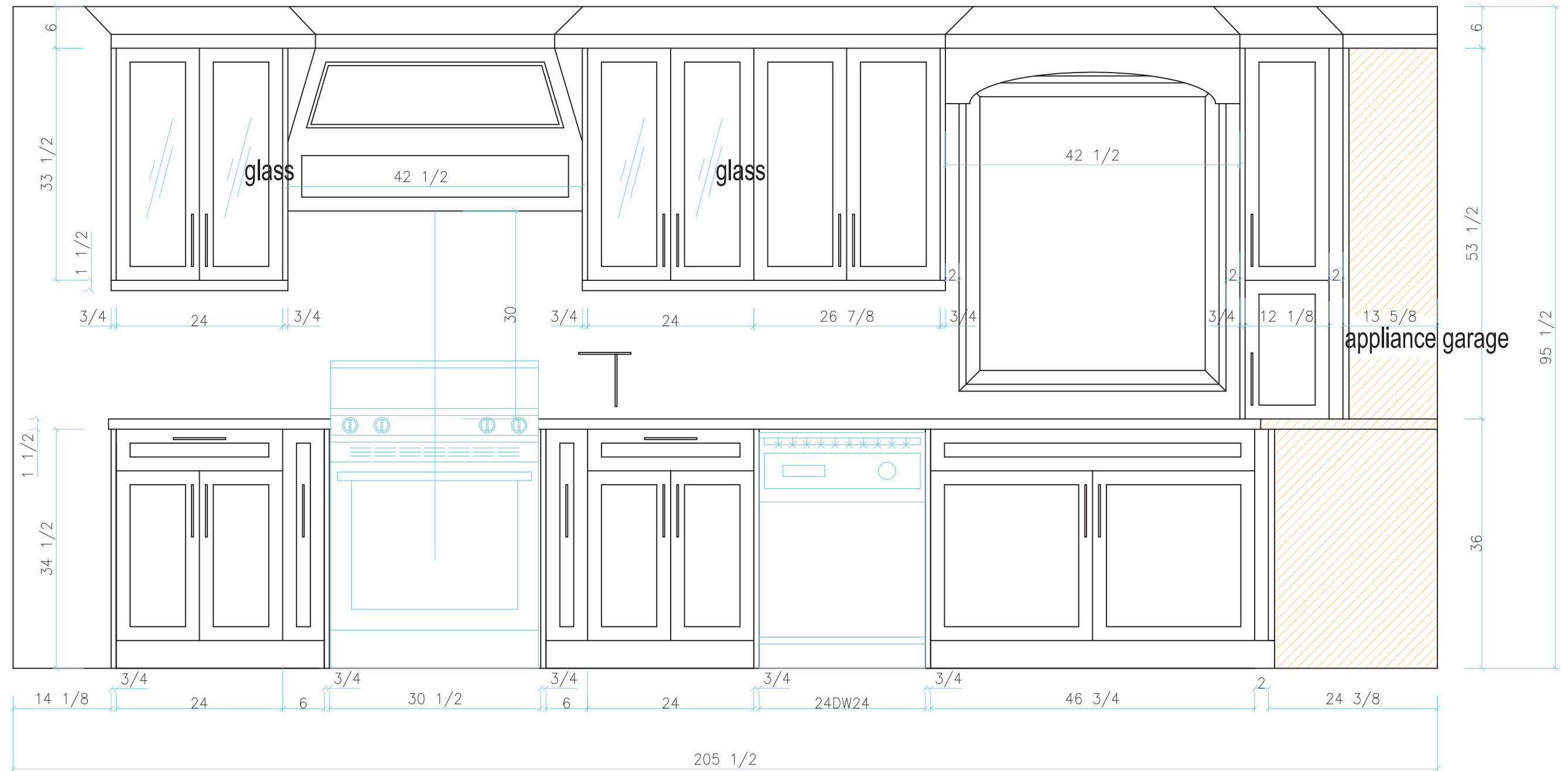
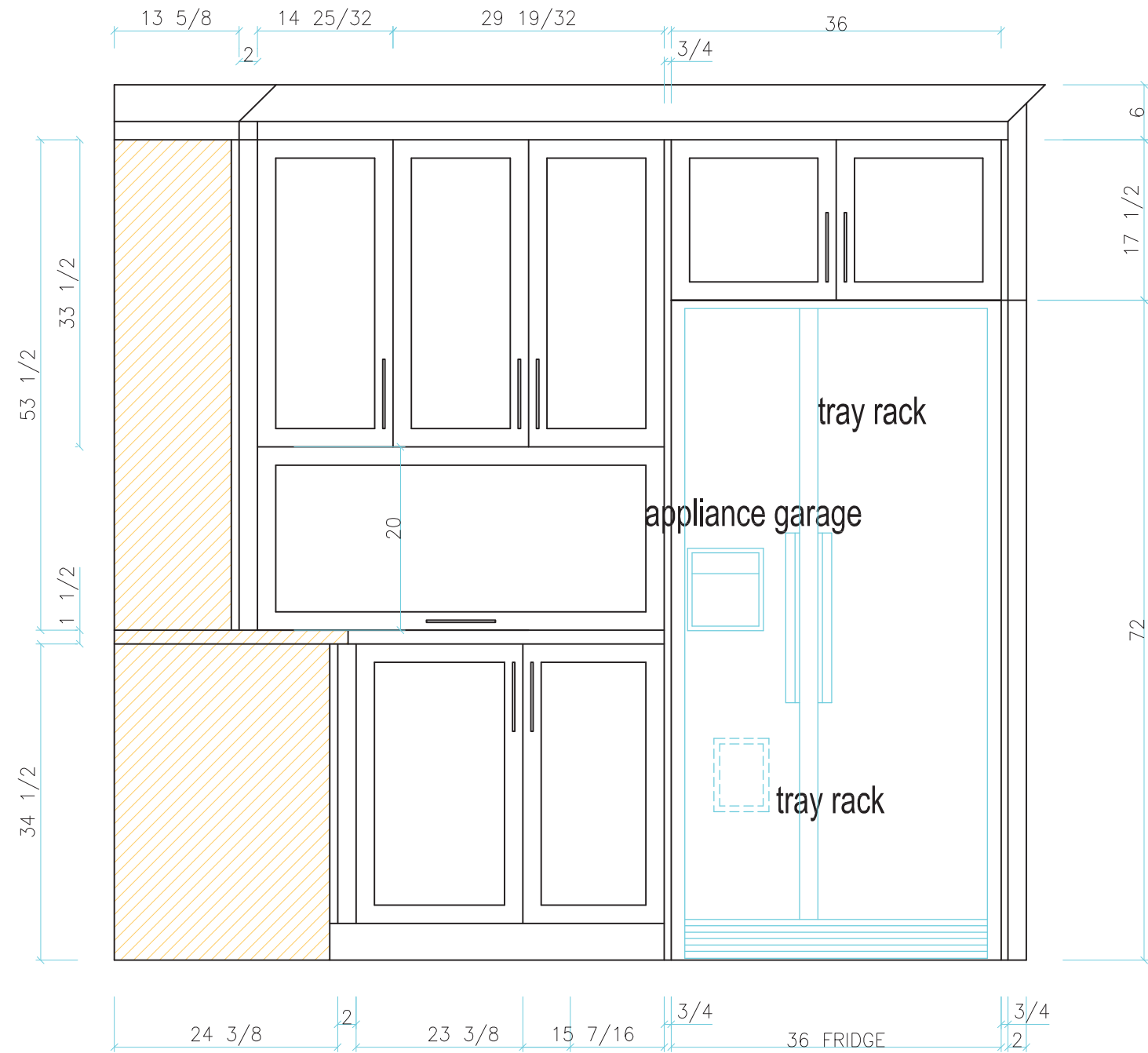
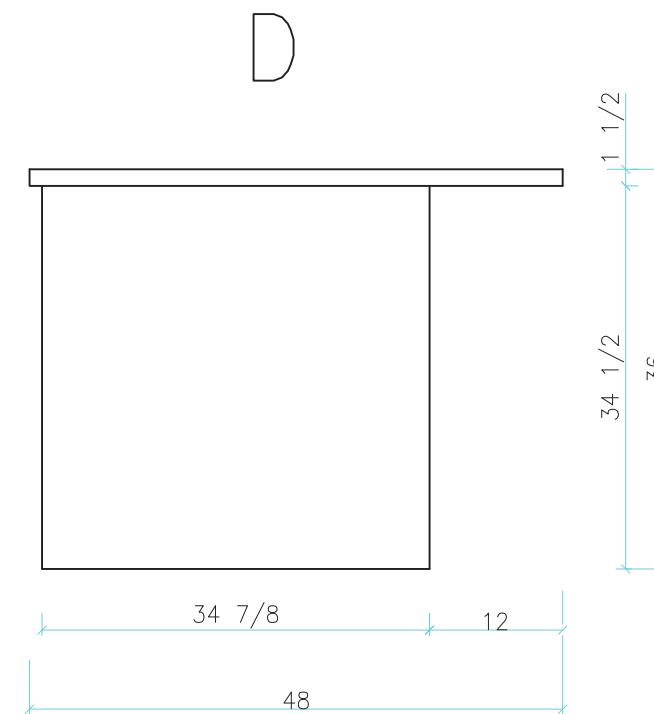
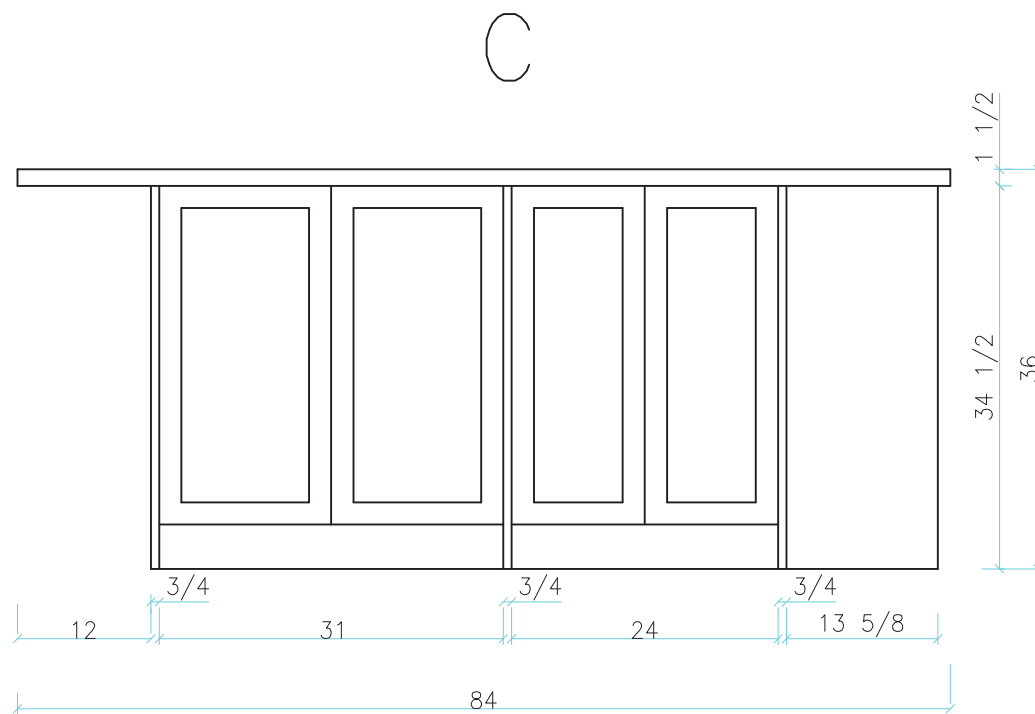
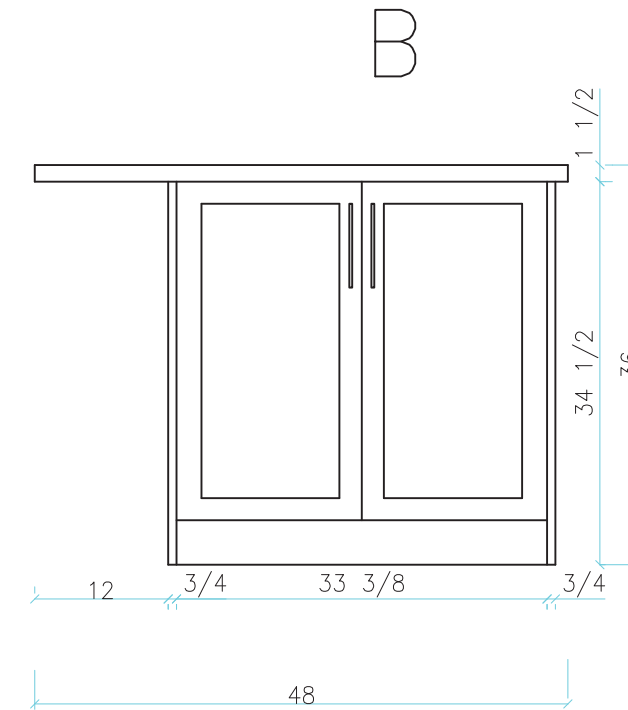
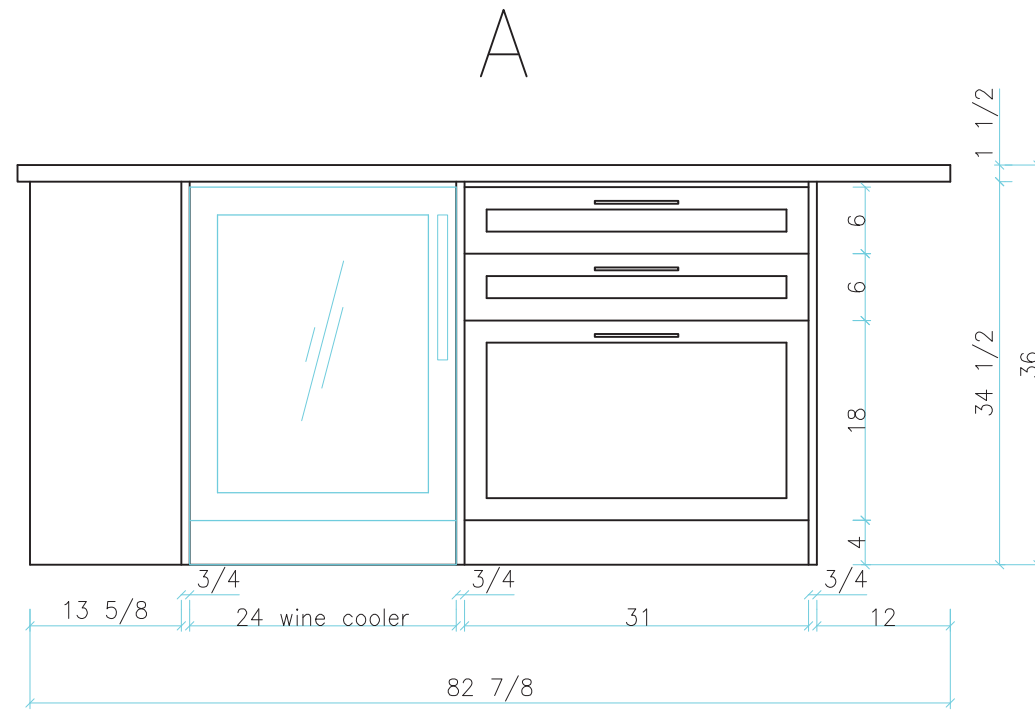


# Wall A



# Wall B





Wall A

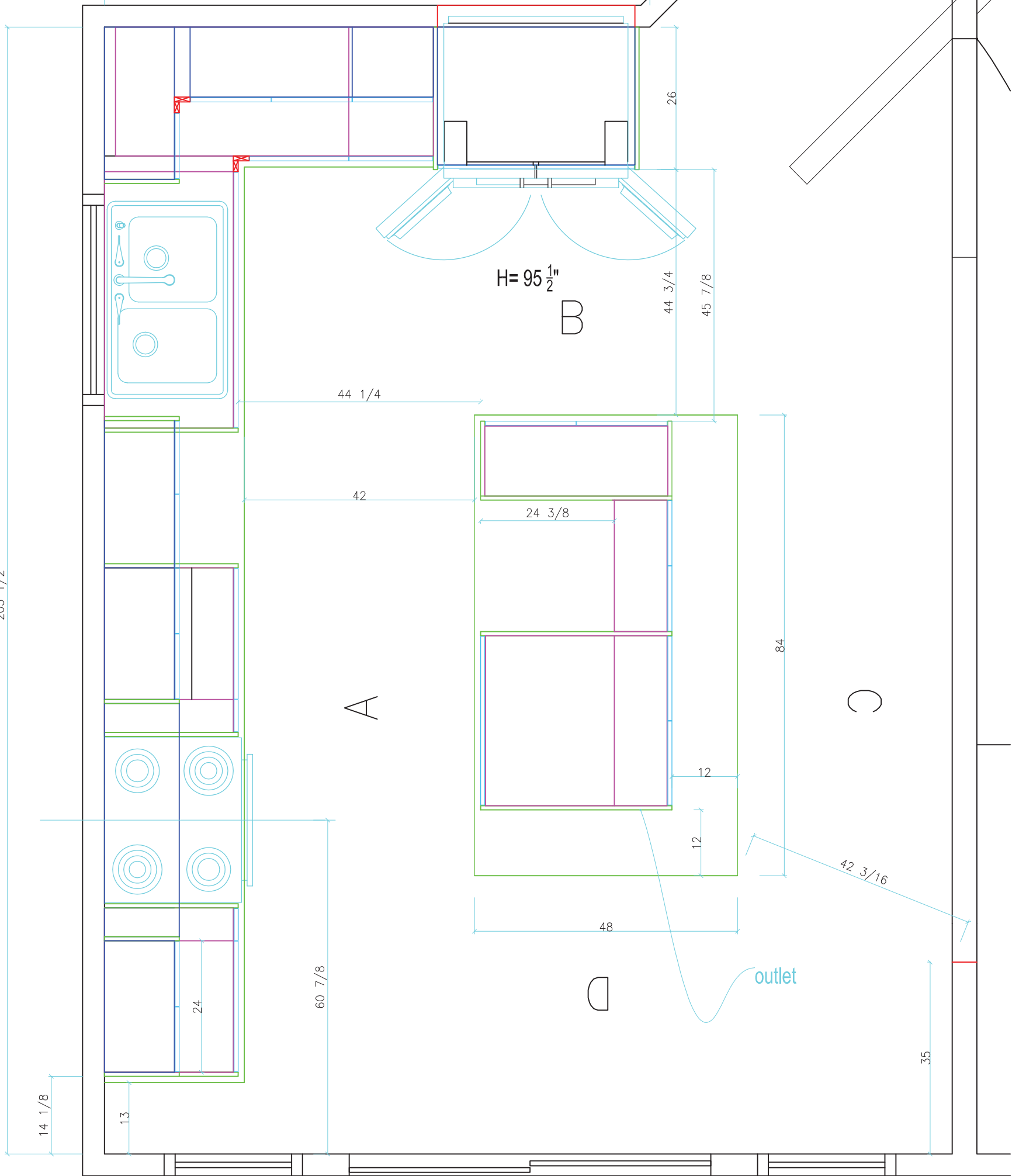
205 1/2

Wall B

60 3/4

99 1/2

36 Fridge Alcove



**design**theatre  
www.designtheatre.ca

Project:

Title:

Floor Plan

Finish Schedule:

Doors and Fronts:

Cabinetry Interior:

Date:

2017 08 30

Rev. Date:

Approved Date:

Reference:

Drawn By:

BM

Scale:

NTS

Sheet No.:

04

